

Replacement Guide

EMCO®

For Insect Screen Assembly on EMCO® HDSH Screen Door with Retractable Shade

IMPORTANT: READ ENTIRE GUIDE BEFORE BEGINNING INSTALLATION.

PLEASE NOTE: Proper assembly, installation and maintenance are essential if the benefits of your Andersen® product are to be fully attained. Therefore, please read and follow this Installation Guide completely. If your abilities do not match this procedure's requirements, contact an experienced contractor.

You may direct any questions to the **Solution Center** at 1-800-933-3626, Monday through Friday, 7 a.m. to 7 p.m. Central Time, and Saturday and Sunday, 8 a.m. to 5 p.m. Central Time.

⚠ WARNING:

Improper use of hand or power tools could result in personal injury and/or product damage. Follow equipment manufacturer's instructions for safe operation. Always wear safety glasses.

⚠ WARNING:

Weight of window and door unit(s) and accessories will vary. Use a reasonable number of people with sufficient strength to lift, carry, and install window and door unit(s) and accessories. Always use appropriate lifting techniques. Failure to do so may result in injury.

REQUIRED TOOLS

- Safety Glasses
- A Second person for assistance is recommended
- Phillips Head Screwdriver

1. RETRACT SHADE:

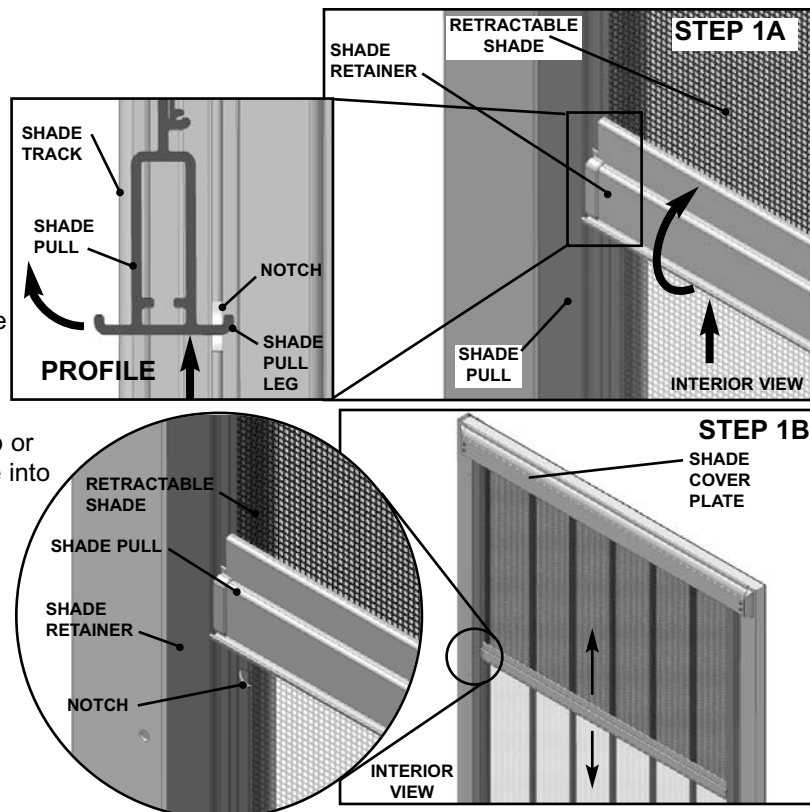
⚠ WARNING

The retractable shade is stored inside the door with a highly tightened spring. If released, shade may release suddenly causing injury or improper product operation. Maintain a firm grasp when operating the retractable shade.

A. To disengage retractable shade, grasp shade pull with both hands and pull down slightly while rotating bottom of shade pull outward to disengage from notches.

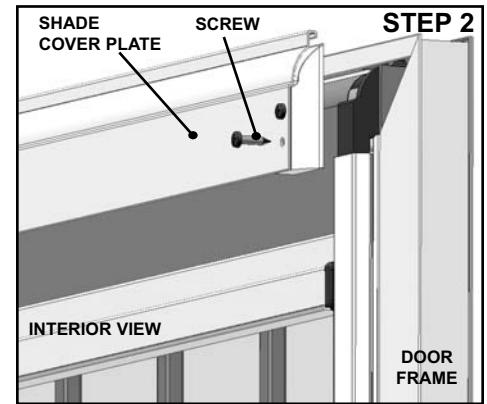
Tip: By maintaining the top of shade pull in a rotated outward position while sliding retractable shade up or down, the shade pull will not automatically engage into every notch location.

B. To fully retract shade, move shade pull with both hands evenly up until shade pull is mostly hidden under the shade cover plate.



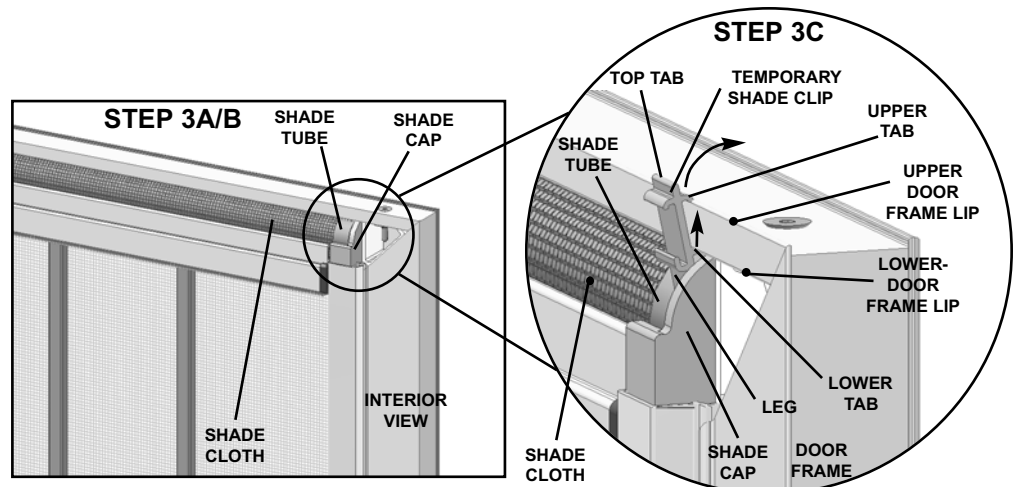
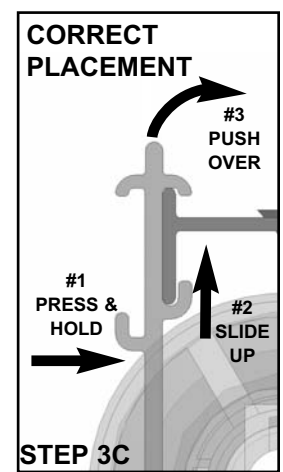
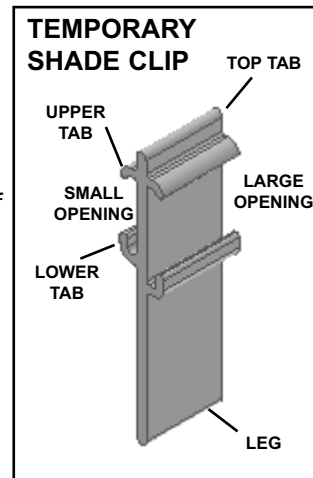
2. REMOVE SHADE COVER PLATE:

- A. Using a phillips head screwdriver, remove the bottom screw from each end of the shade cover plate. The top screws fasten the shade cover plate to the end caps and do not need to be removed.
- B. Once loose, the shade cover plate may be removed by lifting up and towards you.
- C. Place shade cover plate and screws aside, to be reinstalled later.



3. INSTALL TEMPORARY SHADE CLIPS:

- A. Position the temporary shade clip with the small opening towards the door. The small opening will snap onto the top of the door frame.
- B. Push in the center of the clip while sliding the clip's lower tab up and over the lower door frame lip. The clip leg should be between the shade cloth and shade cap and should be in front of the shade tube.
- C. Apply pressure to the top tab as indicated in the picture below. You should hear an audible snap which indicates that the upper tab has been seated over the upper door frame lip. The rounded end will fit between the shade housing wall and gusset screw.
- D. Repeat steps 3A-3C for left shade clip.



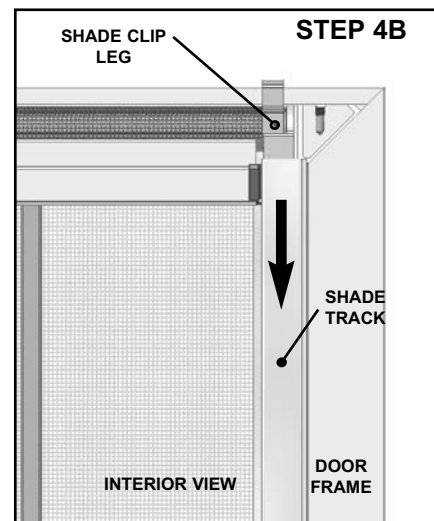
4. REMOVE SHADE TRACKS:

- A. Starting at the bottom, pull the right shade track sideways towards the center of the door and out from the door frame. Carefully move up the entire length of the track, pulling towards you to peel it out of the track.

WARNING

The retractable shade is stored behind the shade cover plate and is secured with the shade tracks. While removing the final shade track, the temporary shade clips are designed to stabilize the retractable shade. Failure to properly install them may result in the shade assembly falling, potentially causing injury.

- B. To remove the shade track from the retractable shade unit, slide the shade track down.
- C. Make sure insect screen assembly is properly supported in door.
- D. Repeat step 4A and B for the left track.

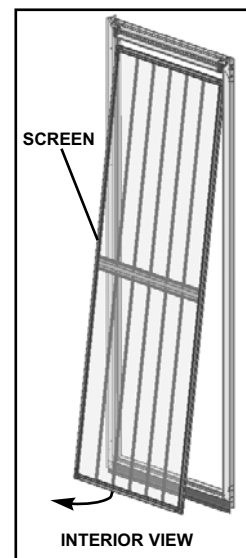


5. REMOVE INSECT SCREEN:

WARNING

When removing insect screen, have a helper support the insect screen while removing from door. Failure to do so could result in potential product damage or injury.

- A. Remove the insect screen from the door by gently pushing the bottom to the inside from the outside. Grasp the insect screen by the sides about halfway up and slide it down and away from the door. Properly dispose of insect screen.

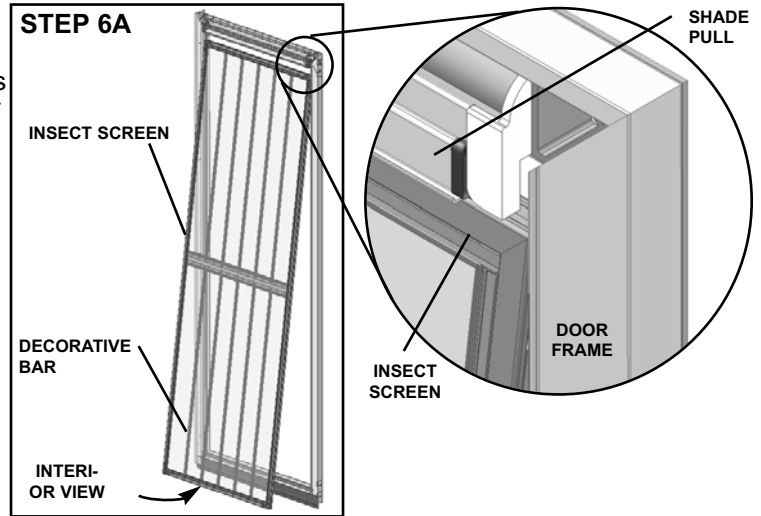


6. REPLACE INSECT SCREEN:

! WARNING

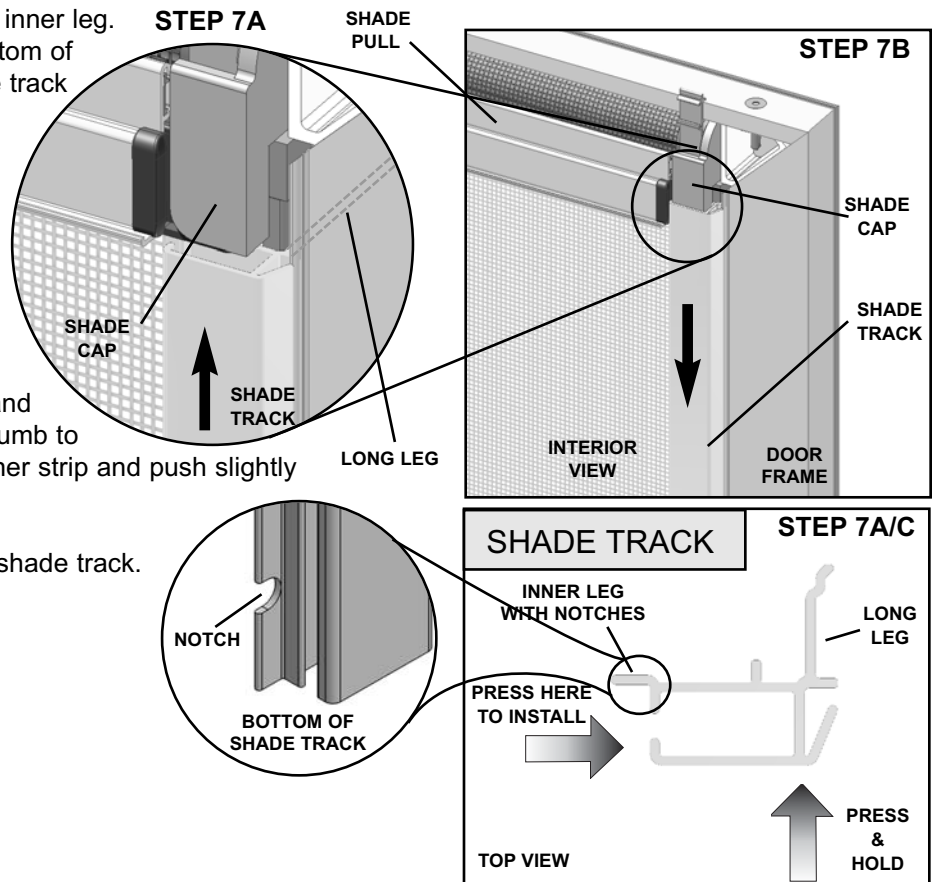
Once insect screen is in place, have a helper support the insect screen while installing shade tracks. Failure to do so could result in potential product damage or injury.

- A. Center insect screen in top of door frame from the interior and carefully tilt the top of the insect screen forward into door frame. Make sure decorative bars face outward (away from your home) and the top of the insect screen frame is behind the shade pull.
- B. Position the bottom of insect screen into door frame.
- C. Make sure insect screen is properly supported.



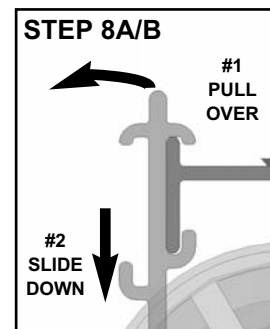
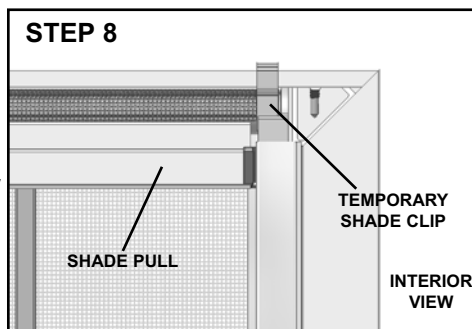
7. INSTALL SHADE TRACK:

- A. The shade tracks have notches on the inner leg. The notch closest to the end is the bottom of the shade track. Place the right shade track with the long leg pointing towards the groove in the door frame. Slide the shade track over the shade cap of the retractable shade unit.
- B. Slide the shade track down so the bottom is flush with the insect screen opening.
- C. To install shade track, start at the top and work progressively down. Use your thumb to press straight on the shade track retainer strip and push slightly toward the outside edge of the door.
- D. Repeat Step 7 A through C for the left shade track.



8. REMOVE TEMPORARY SHADE CLIPS:

- A. To remove the first temporary shade clip, pull the top tab towards you to release it from the upper door frame lip. Then slide the clip down to remove it.
- B. Repeat Step 8 A to remove the other clip. Properly dispose of temporary shade clips.



9. INSTALL SHADE COVER PLATE:

- A. Install shade cover plate. Make sure that the edge of the shade cover plate hooks over the lip at the top of the door frame.
- B. Make sure that the entire shade pull is below the bottom of the shade cover plate.
- C. Align holes and secure with the two screws removed previously.

