

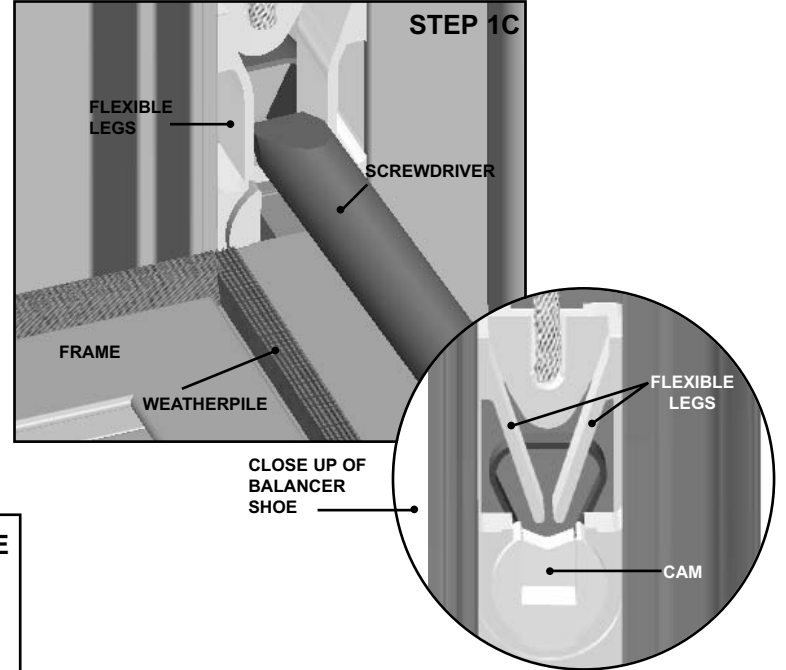
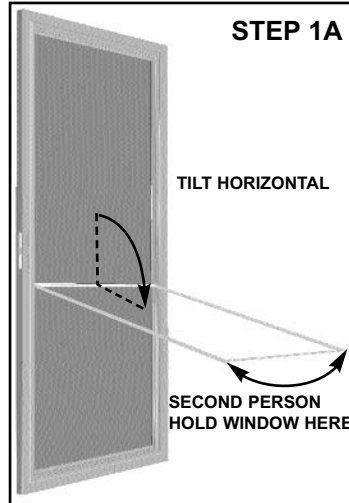
INSTALLATION GUIDE



PN 610410
Revised 08/03

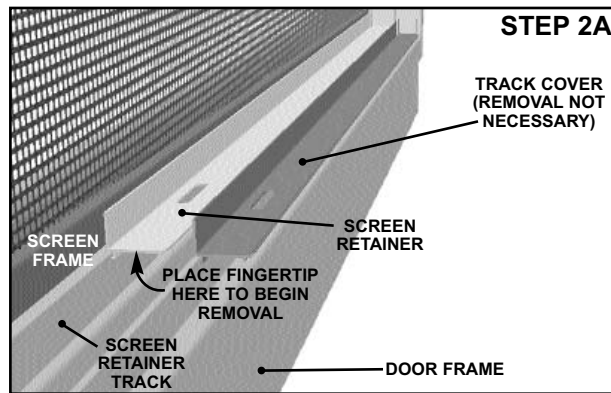
1. REMOVE WINDOWS

- A.** Remove inside window by depressing top window latches and rotating window 90 degrees (horizontal to ground).
- B.** Have second person support end of window with window latches.
- C.** Use screwdriver to push flexible legs of balancer to the side. Lift corner of window and screwdriver to release window pivot key from balancer shoe.
- D.** Repeat for other side of window.
- E.** After both pivot keys are released from balancer shoes, rotate window to remove from door.
- F.** If the inside window with lock needs to be replaced, proceed to step 4.
- G.** If necessary, repeat steps A to E for other outside window.
- H.** If outside window needs replaced, proceed to Step 5. If insect screen needs replaced, proceed to Step 2.



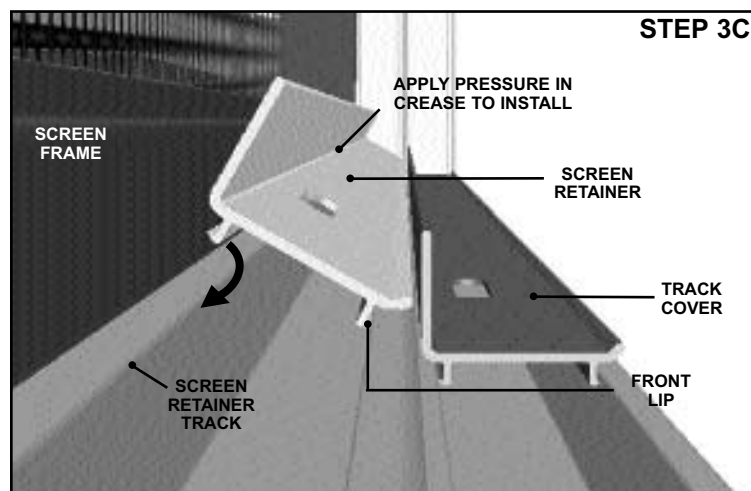
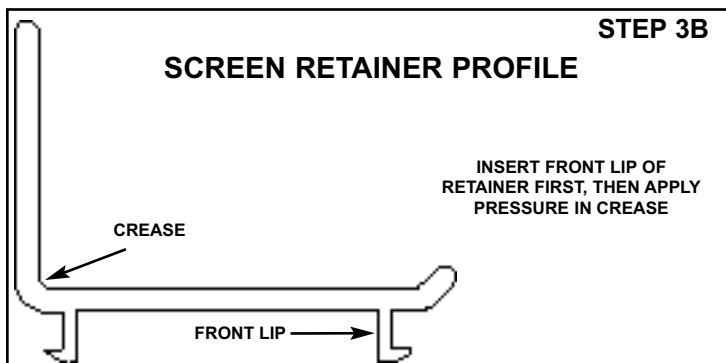
2. REMOVE RETAINERS AND INSECT SCREEN (ONLY IF THEY NEED TO BE REPLACED)

- A.** Remove the two retainers holding the insect screen at the top and bottom by using a screwdriver to pull the retainer away from the door frame.
- B.** Remove the insect screen.



3. INSTALL NEW SCREEN (IF NECESSARY)

- A:** Place insect screen in outer track (closest to the outside) with black spline towards the inside.
- B:** Position the insect screen retainer with slots as shown in diagram 3B. Center retainer in door track. Lock front lip of retainer under lip of retainer track.
- C:** Use forefinger to apply pressure in inner corner of the retainer to snap it into the track.
- D:** Repeat steps B and C to install the top screen retainer without slots.



IMPORTANT

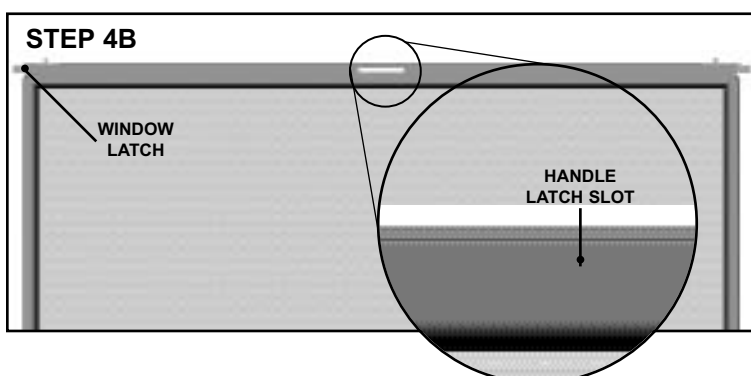
If you are having trouble installing screen retainers, remove the track cover. Then reinstall the screen retainer and the track cover last.

4. INSTALL WINDOW HANDLE AND LOCK (IF NECESSARY)

IMPORTANT

Use alcohol pad to clean areas before applying window handle tape.

- A:** Remove window handle with slot and lock from window handle kit.
- B:** Lean the wider window with a slot located between the window latches (top of window) against a stable surface.



INSTALLATION GUIDE



PN 610410
Revised 08/03

C: Use the alcohol swab included in window handle kit to clean the top of the window frame where the handle will be applied. Allow window frame to dry completely before applying tape. (About 30 seconds.) Don't discard the alcohol swab. It will be used again for step 5C.

D: Remove the backing from the double-sided tape on the back of the window handle.

E: Place window handle with slot over the slot in the top of the window frame.

Note: Place handle on the side without the rubber bulb seal.

F: Place center window lock under the window handle so the lock paddle goes through the slots in the handle and the window. Attach center lock from other side using two (2) #6 x 7/8" screws.

5. INSTALL WINDOW HANDLE ON OUTSIDE WINDOW (IF NECESSARY)

A: Remove the window handle without a slot from window handle kit.

B: Lean the narrower window against a stable surface. The two holes between the latches will be located at the top of window.

C: Use the alcohol swab included in window handle kit to clean the top of the outside window frame. Allow to dry completely. (About 30 seconds.)

D: Remove the backing from the double-sided tape on the back of the window handle.

E: Carefully line up screw bosses on back of handle with holes in window. Attach handle from other side using two (2) #6 x 3/8".

6. REINSTALL WINDOWS

A: First install narrower, top window by holding the window horizontal to the floor with the pivot keys close to the door, weatherpile facing upward and handle facing down.

B: Tilt the window at a slight angle (the left side will be slightly lower than the right side) to allow installation of the left pivot key into the cam in the balancer shoe.

After the left pivot key is locked into the cam, slide the window towards the right side of the door and lower the pivot key into the cam in the right balancer shoe.

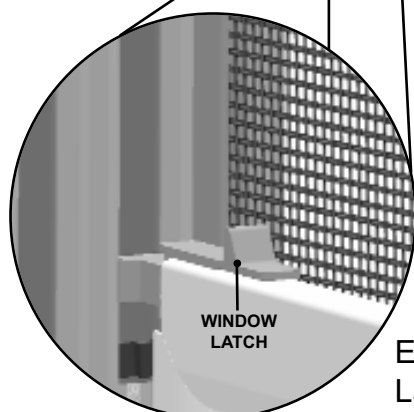
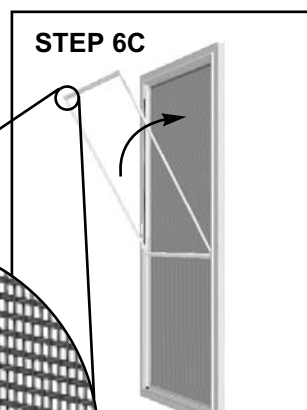
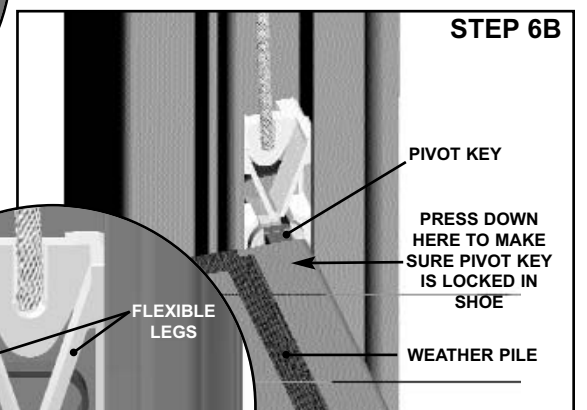
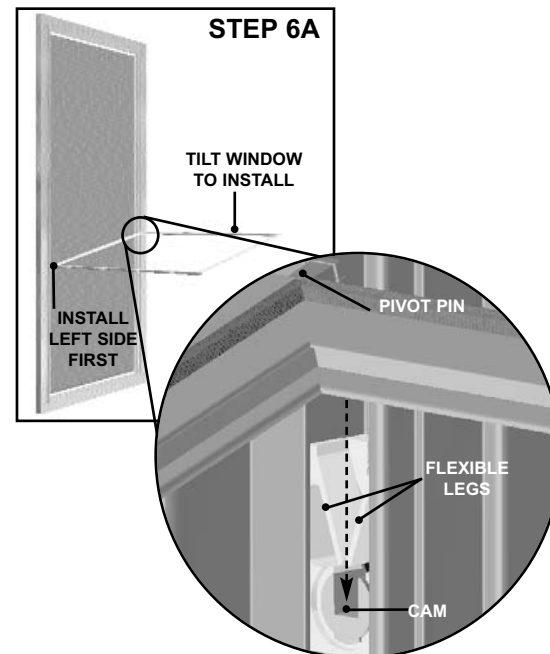
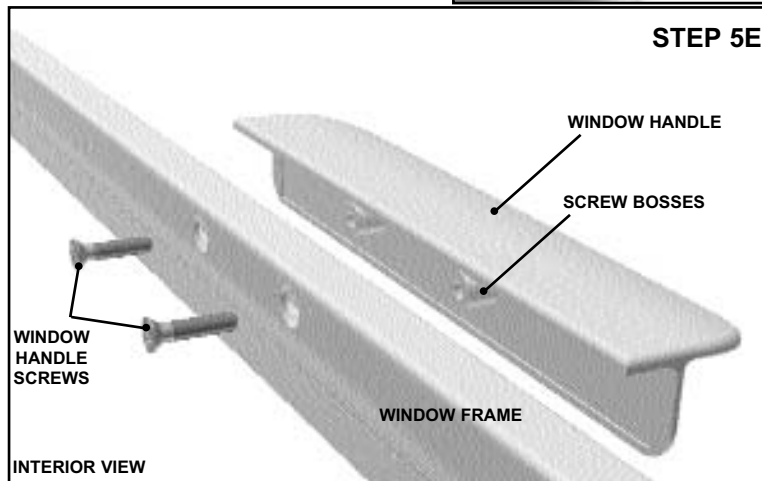
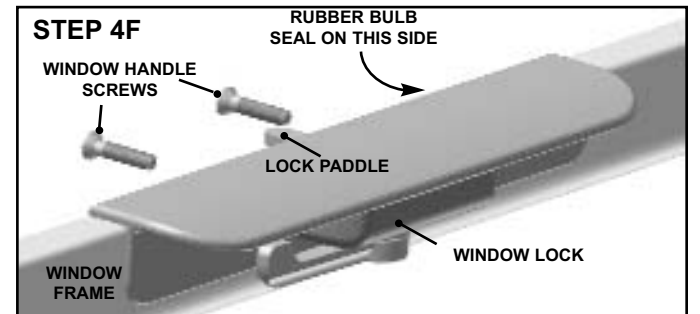
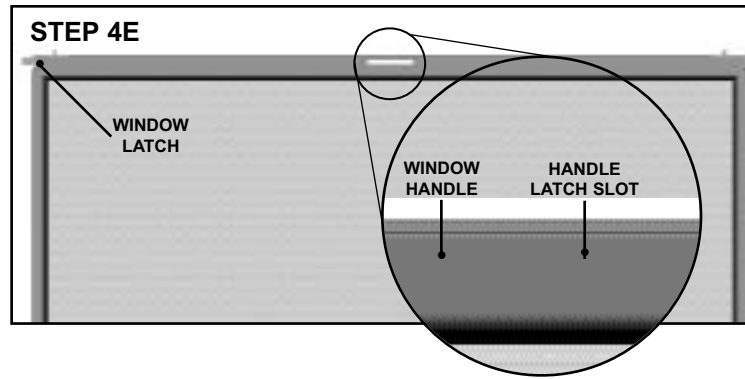
NOTE: Have another person hold the window while you check to make certain the pivot key is secure in each cam. (See image 9B.)

IMPORTANT

Be certain that the pivot keys are pushed past the flexible legs of the balance shoe and is completely engaged in the cam on both sides. If not, repeat step 9B.

C: Lift the end of window up towards door and depress window latches. When window is vertical in door tracks, release window latches to lock window into door frame. Slide window to the top. Window should move smoothly up and down.

D: Repeat steps A-C for inside, wider window with the window lock installed. The window handle should be facing inside house.



Close Up of Balancer Shoe

Engaged Window Latch