

Hinge Rail Installation Guide



Please Do Not Return Product to Store!

PLEASE call the storm door Solution Center at 1-800-933-3626

with any questions regarding installation, lost part replacement, or anything else related to your storm door purchase.

- If your abilities do not match the requirements of this installation, contact an experienced contractor.
- Andersen has no responsibility in regard to the post-manufactured assembly and installation of Andersen products.

PARTS OVERVIEW

- 1 Hinge Rail
- 2 Screw Cover
- 3 Screw Pack
- 4 Spacer Clips (2)
- 5 Bottom Spacer

RECOMMENDED TOOLS

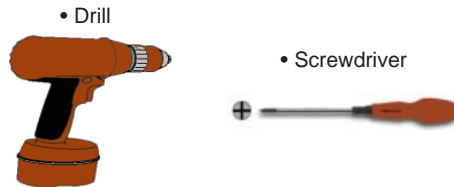


WARNING / ADVERTENCIA / AVERTISSEMENT :

- Follow manufacturers' instructions for hand or power tools. Always wear safety glasses. Failure to do so may result in injury and/or product damage.
- Siga las instrucciones del fabricante para herramientas manuales o eléctricas. Siempre use antiparras de seguridad. No hacerlo puede provocar lesiones en las personas y/o daños en el producto.
- Suivez les directives d'utilisation du fabricant pour les outils manuels ou électriques et portez toujours des lunettes de sécurité, sans quoi vous risquez de vous blesser ou d'endommager le produit.

1. REMOVE HINGE RAIL

Tools needed:



LEFT HANDED - EXTERIOR VIEWS

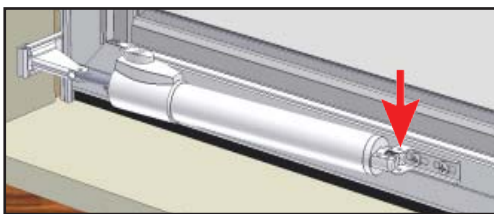


Figure 1

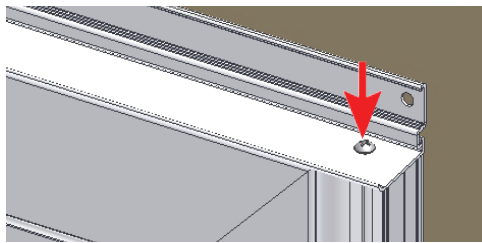


Figure 2

In this step, you will remove the old latch rail from the mounting surface.

1. Press button on bump closer to lock closer and open the door. This will release the pressure on the pin. Remove pin from closer door bracket. (Figure 1)

2. Remove one #6 x 1/2" screw from rain cap. Do not discard this screw, it is used in step 2. (Figure 2)

RIGHT HANDED - EXTERIOR VIEWS

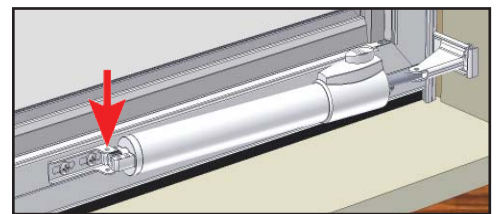


Figure 1

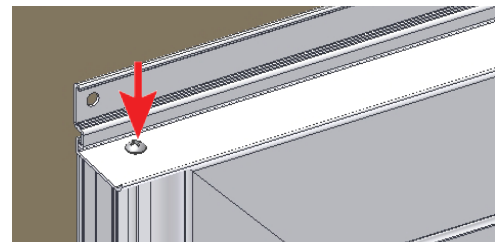


Figure 2



Come home to Andersen.

EMCO Enterprises, Inc., is a wholly owned subsidiary of Andersen Corporation. EMCO manufactures and supports the limited warranties for Andersen® and EMCO® doors. "Andersen", "EMCO" and all other marks where denoted are trademarks of Andersen Corporation. ©2011 Andersen Corporation. All rights reserved.

EMCO Enterprises, Inc.
PO Box 853
Des Moines, IA 50306-0853
Rev 1-2011 10043
P/N 620547

1. REMOVE HINGE RAIL (CONTINUED)

LEFT HANDED - EXTERIOR VIEWS

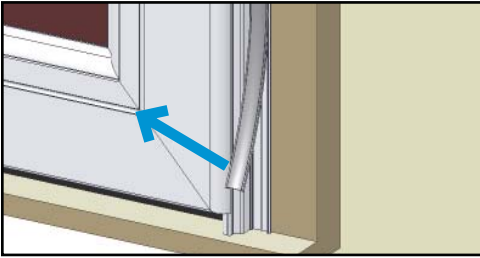


Figure 3

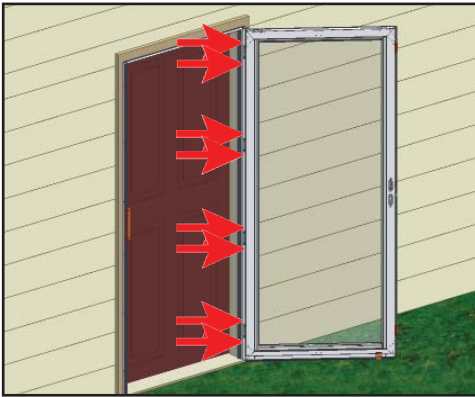


Figure 4

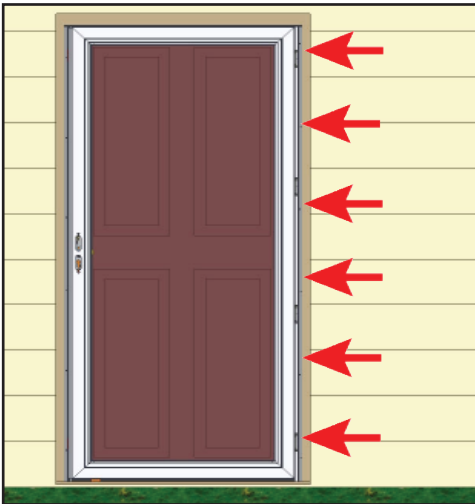


Figure 5

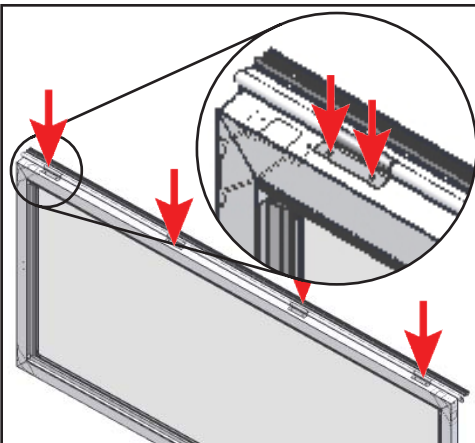


Figure 6

2. Remove screw cover by prying up the edge with a screw driver, and peeling the screw cover out of the track. (Figure 3)

3. Open door and remove eight #8 x 1" screws from inside of hinge rail (Figure 4)

4. Remove six #8 x 1" screws from latch rail (Figure 5)
5. Remove hinge rail and door

6. Remove eight screws from hinge rail and remove hinge rail from door frame. (Figure 6)

RIGHT HANDED - EXTERIOR VIEWS

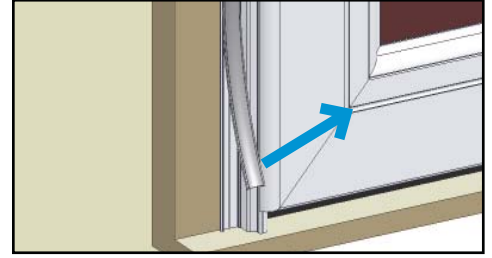


Figure 3

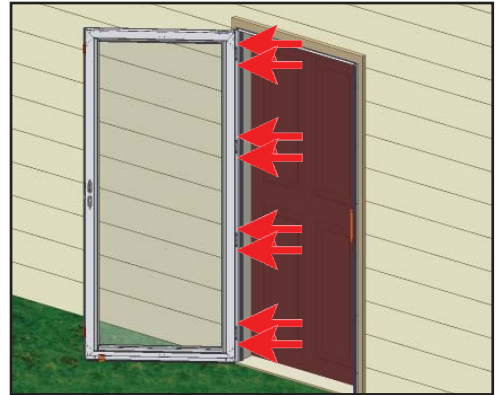


Figure 4

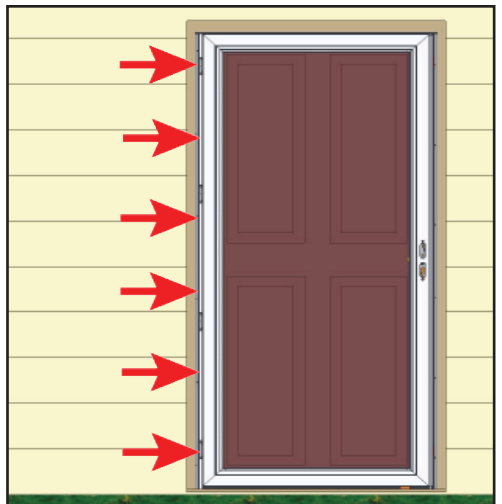


Figure 5

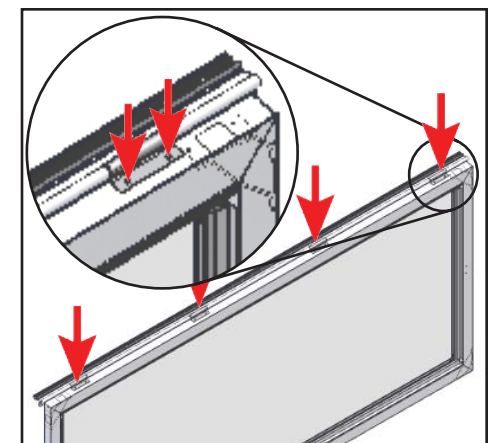


Figure 6

2. INSTALL HINGE RAIL AND CLIPS TO DOOR

Tools needed:



• Drill



• Screwdriver

LEFT HANDED - EXTERIOR VIEWS

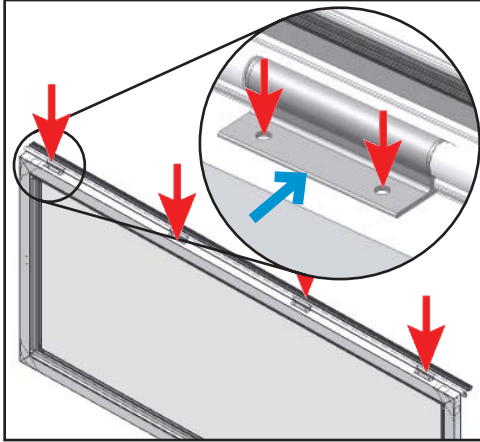


Figure 7

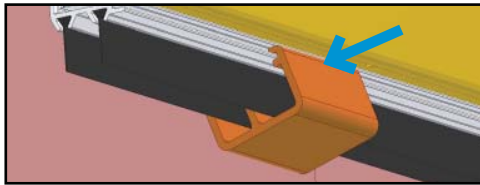


Figure 8

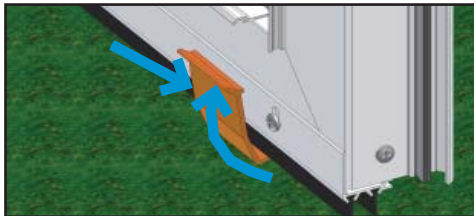


Figure 9

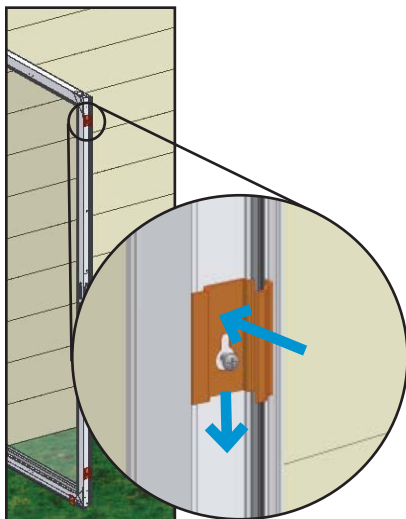


Figure 10

In this step, you will install the new hinge rail and re-hang the door in the opening.

1. Align holes in hinges to holes in door frame while ensuring the hinge leaf is properly seated in the groove in the door frame. (Figure 7).
2. Fasten the hinges to the door us eight #8 x 1/2" screws. (Figure 7)

3. Hook the bottom spacer on to the sweep (Figure 8)

4. Rotate the clip until it snaps over the back of the sweep (Figure 9)
5. Slide the clip until it is touching the sweep screw on the handle side of the door. (Figure 9)

TIP: Use a screw driver to loosen and tighten screws in Steps 6 and 8; a drill may strip the screw holes.

6. Loosen top and bottom edge seal screws, but do not remove
7. Positon clip over screw head and push down so screw head is seated in small end of keyway. (Figure 10)
8. Tighten screw. and repeat for bottom clip

RIGHT HANDED - EXTERIOR VIEWS

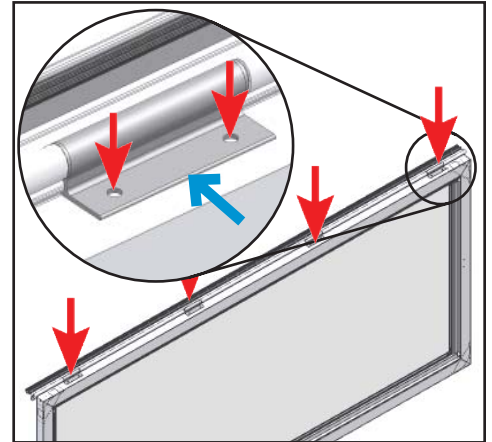


Figure 7

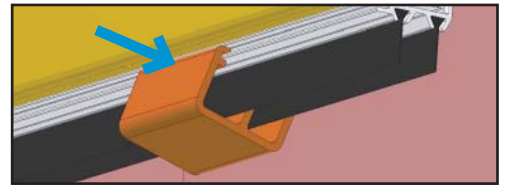


Figure 8

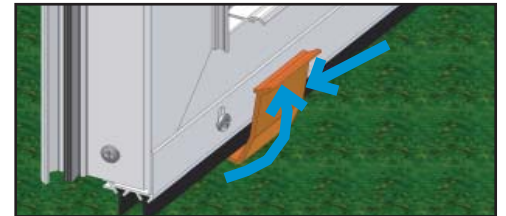


Figure 9

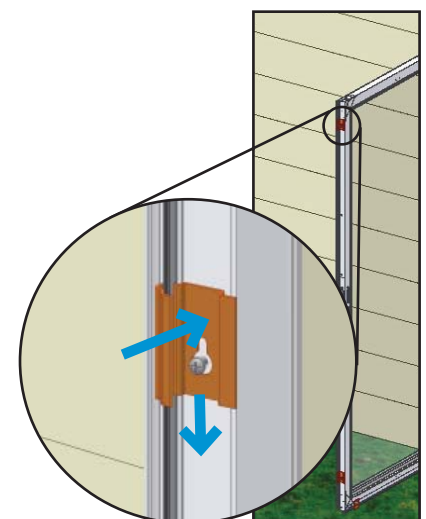


Figure 10

3. HANG HINGED STORM DOOR

Tools needed:



• Drill



• Screwdriver

LEFT HANDED - EXTERIOR VIEWS

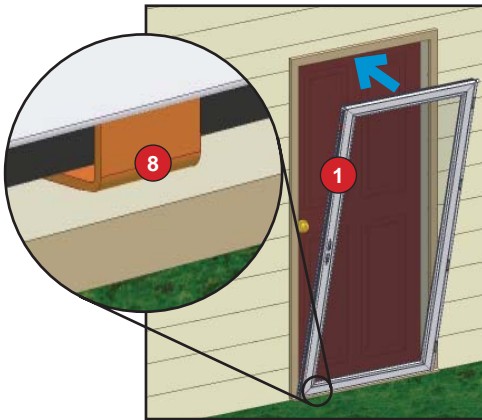


Figure 11

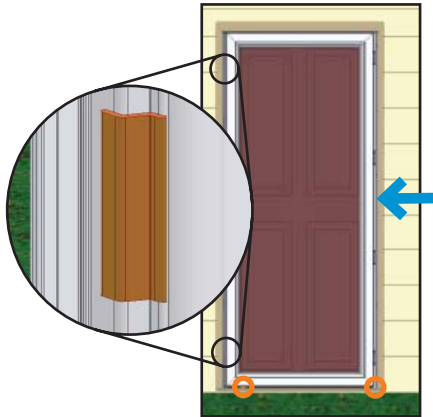


Figure 12



Figure 13

In this step, you will place the door in the opening and fasten it to the mounting surface.

1. Set bottom of door into opening. Ensure orange bottom spacer is sitting on door sill (Figure 11).
2. Tip the top of the door into the opening while ensuring the bottom of the door frame rests on the orange spacer (Figure 11).

TIP: Place your foot against the bottom of the door frame while tipping the top of door frame assembly into opening.

3. The door frame assembly is properly seated in the opening when the hinge rail is flush against the mounting surface and the hinge rail and bottom spacer (highlighted in yellow) are resting on the door sill. (Figure 12)
4. Move door panel toward latch rail until orange clips installed in step 2 overlap the latch rail (Figure 12)

5. Fasten the hinge rail to the mounting surface using six #8 x 1 screws (Figure 13).

RIGHT HANDED - EXTERIOR VIEWS

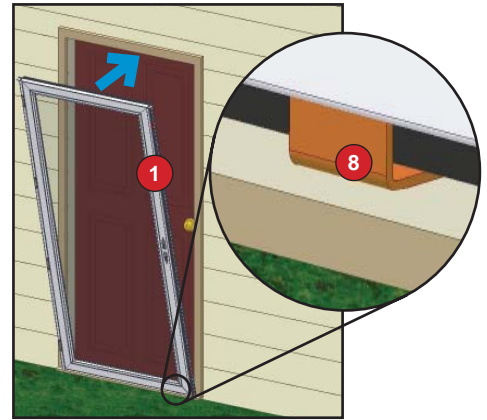


Figure 11

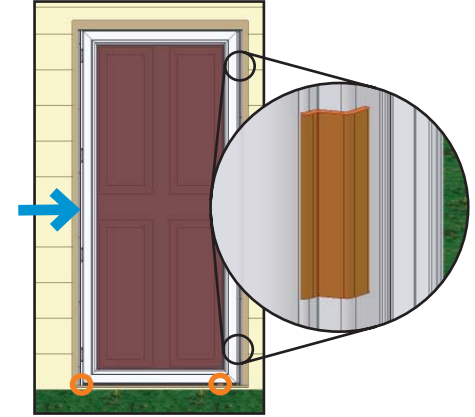


Figure 12



Figure 13

4. SECURE HINGED STORM DOOR AND REMOVE INSTALLATION CLIPS

Tools needed:



• Drill



• Screwdriver

LEFT HANDED - EXTERIOR VIEWS

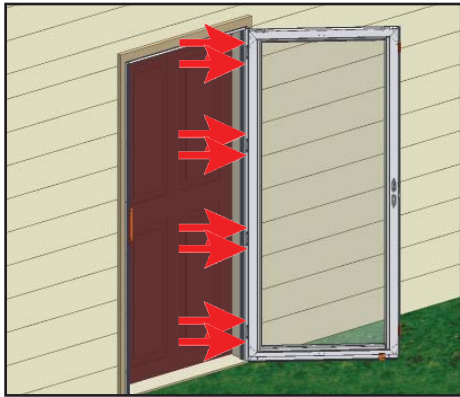


Figure 14

1. Fasten the hinge rail to the door jamb using eight #8 x 1 screws (Figure 14). Do not overtighten the screws.

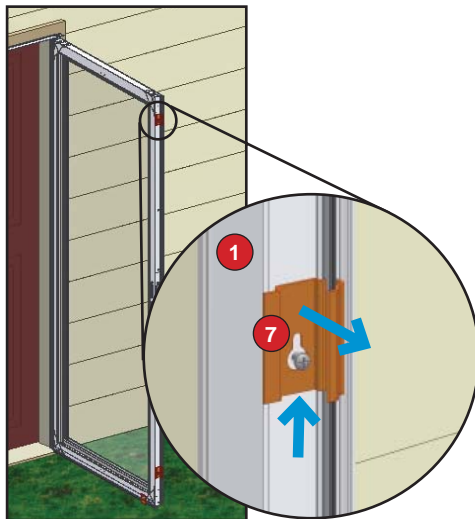


Figure 15

TIP: Use a screw driver to loosen and tighten screws in Steps 3 and 4; a drill may strip the screw holes. If screws do strip, replace with #10 x 1/2" screws included in the closer kit

2. Remove spacer clips by loosening screws, and then slide clip up and pull away from door to remove clip. (Figure 15)
3. Re-tighten screws.

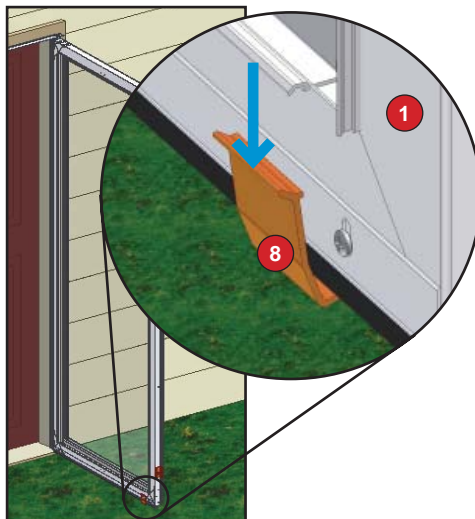


Figure 16

4. Remove bottom spacer by pressing down on raised lip. (Figure 16)
5. Properly discard all orange clips.
6. Starting at the mitered corners, remove the clear protective tape from both the interior and exterior of the door frame, if applicable.

RIGHT HANDED - EXTERIOR VIEWS

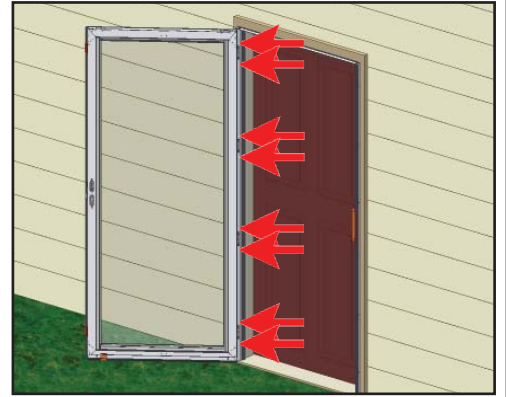


Figure 14

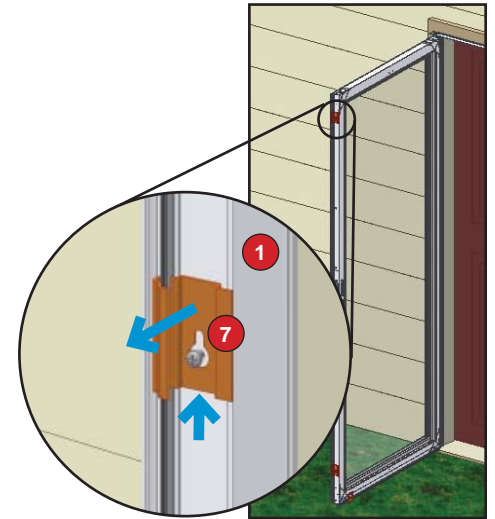


Figure 15

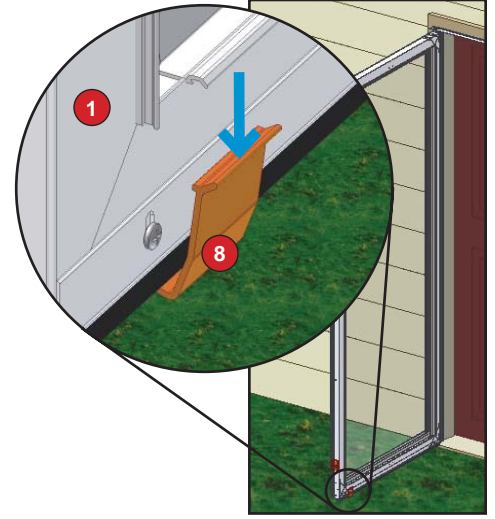


Figure 16

5. RE-ATTACH CLOSER TO DOOR AND RE-INSTALL SCREW COVERS

Tools needed:

LEFT HANDED - EXTERIOR VIEWS

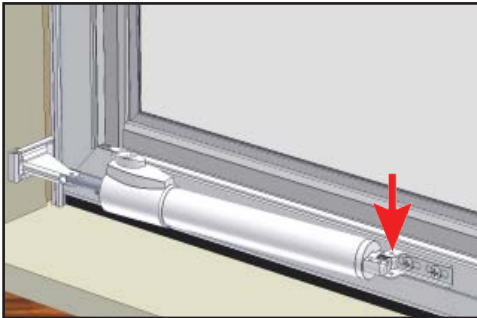


Figure 17

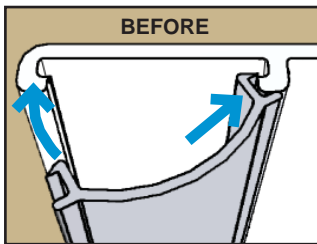


Figure 9

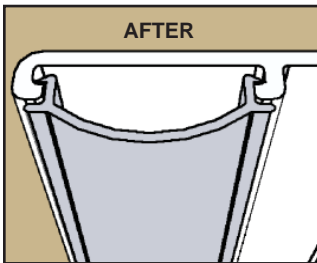


Figure 10

1. Extend bump closer and press button to lock closer. Align hole in closer with hole in closer door bracket. Insert closer pin removed in step 1 (Figure 17)

2. Insert a groove in the screw cover into the inside track of the latch rail. (Figure 9)

3. Snap the groove in the outside of the screw cover into the outside track of the latch rail. (Figure 10).
4. Move along entire length of screw cover, pressing every few inches to snap into track..

RIGHT HANDED - EXTERIOR VIEWS

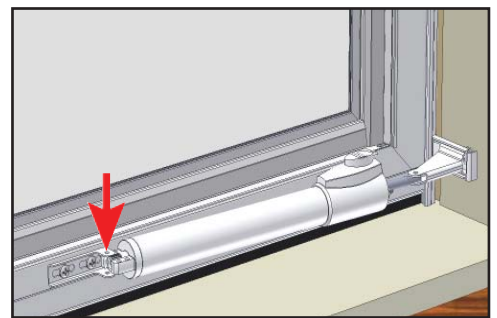


Figure 17

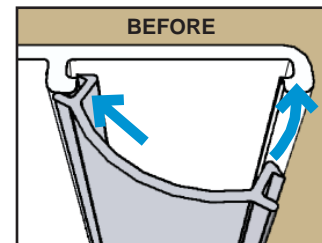


Figure 9

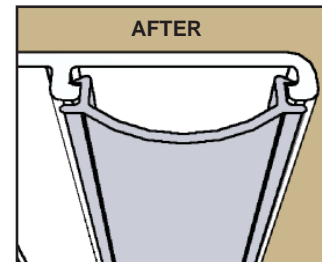


Figure 10