

Replacement Guide

for Andersen® Storm Doors with Mortise Lockcase



Please Do Not Return Product to Store!

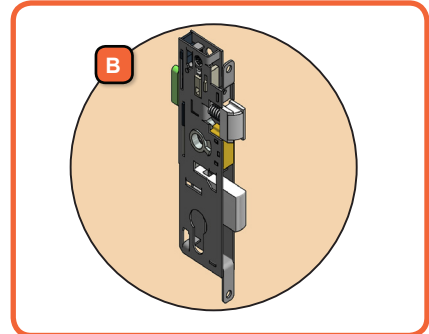
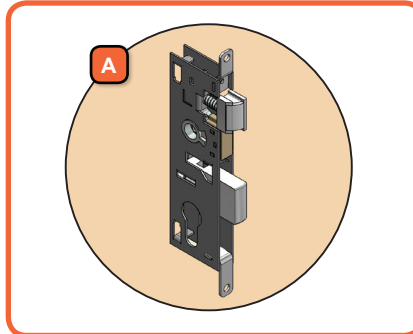
PLEASE call the storm door Solution Center at 1-800-933-3626, with any questions regarding installation, lost part replacement, or anything else related to your storm door purchase.

Read this entire guide before you begin your installation. If your abilities do not match the requirements of this installation, contact an experienced contractor.

PARTS OVERVIEW

Your installation kit should contain the following parts:

- A** Standard Lockcase
- B** Lockcase for doors with Quick Change function (slider bar attached)
- C** Screw Pack (not shown)



SAFETY FIRST: Please read and follow all cautions and warnings in this guide.

WARNING

Improper use of hand or power tools could result in injury and/or product damage. Follow equipment manufacturer's instructions for safe operation. Always wear safety glasses.

WARNING

Windows and doors can be heavy. Use safe lifting techniques and a reasonable number of people with enough strength to lift, carry, and install window and door products to avoid injury and/or property damage.

RECOMMENDED TOOLS

Screwdriver

Safety Glasses

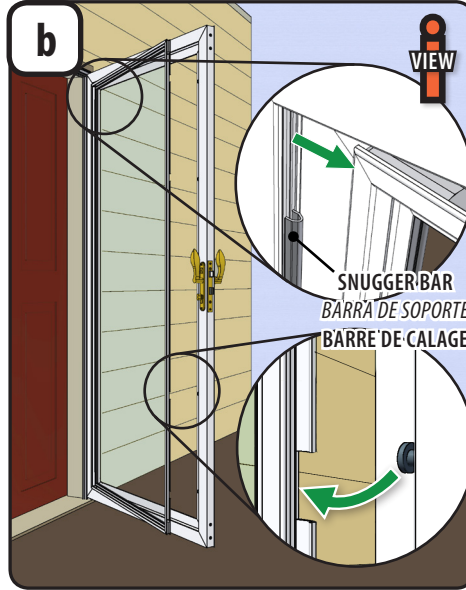
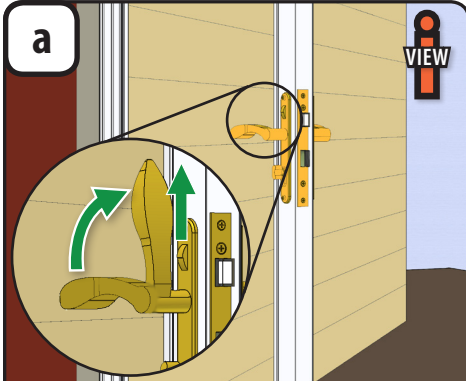
Gloves

INTERIOR VIEW
VISTA INTERIOR = VIEW
VUE DE L'INTÉRIEUR

EXTERIOR VIEW
VISTA EXTERIOR = VIEW
VUE DE L'EXTÉRIEUR

1

REMOVE GLASS PANEL FROM DOOR FRAME (Quick Change only)



WARNING

The notches located on backside of handle side of glass panel and insect screen may contain sharp edges. Use caution when handling glass panel and insect screen. Failure to do so may result in injury.

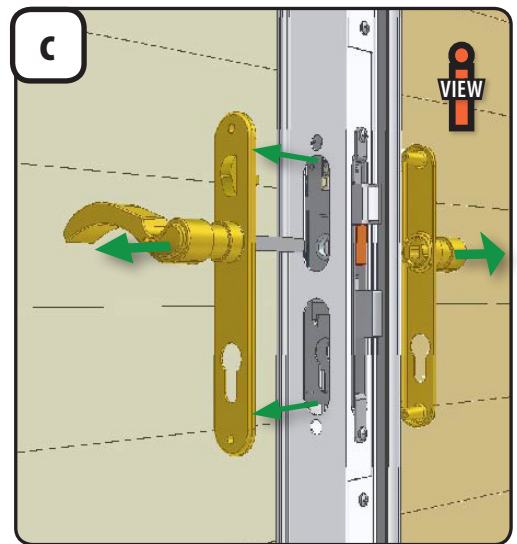
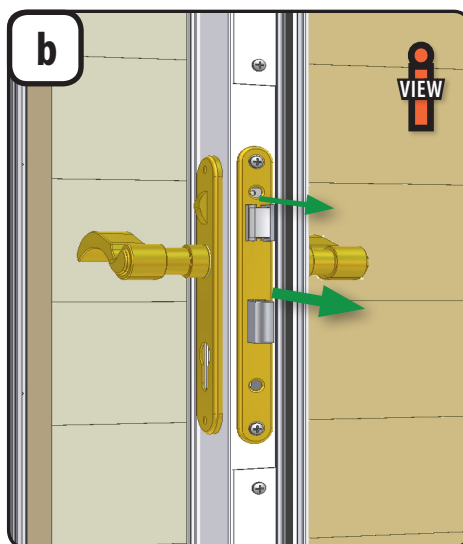
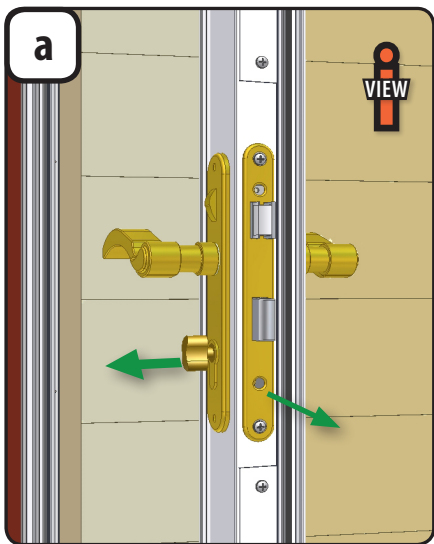
1. Open the door.
2. Slide handle safety release button, located on the inside trim plate, upward and hold while rotating inside handle up to the vertical position.

1. Standing on the interior side of the door, rotate the handle side of the window or insect screen unit out from the door frame toward you. Grasp the window or insect screen unit and remove from the door.

2

DISASSEMBLE HANDLE (Left Hand Shown)

Tools needed:



1. Remove one 1-1/2" screw, and then remove key cylinder. Retain for reassembly.

1. Remove one 5/8" screw, and then remove the lock case trim plate. Retain for reassembly.

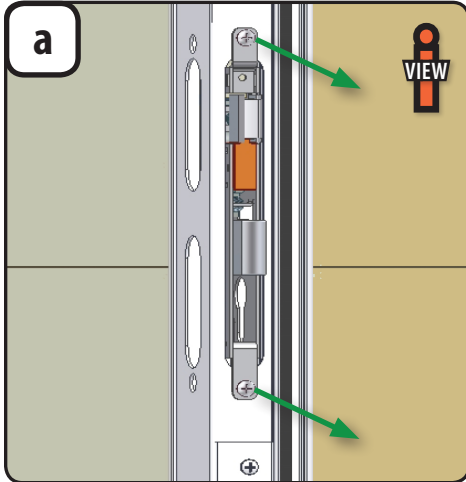
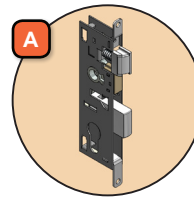
1. Remove two 1-1/2" screws and pull handles apart to remove the handles and escutcheons from door frame. Retain for reassembly.

NOTE: Leave handles locked to escutcheon plates.

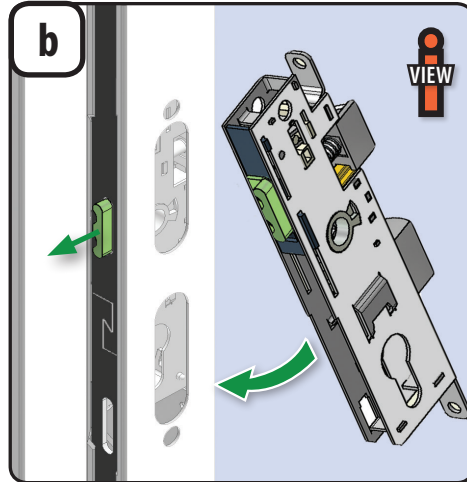
3

REMOVE AND REPLACE LOCK CASE (Left Hand Shown)

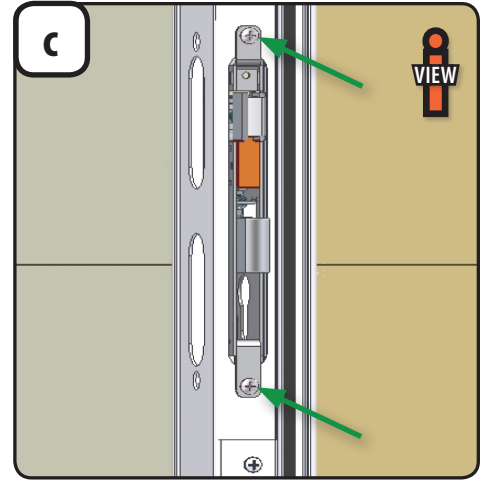
Tools needed:



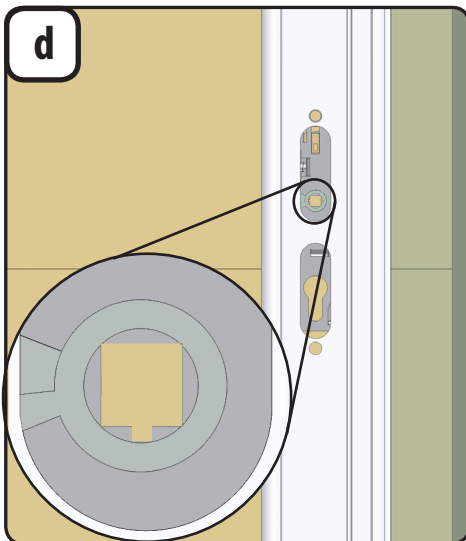
1. Remove two 1/2" screws that retain lock case to door frame and remove lock case.
2. Note the orientation of the lockcase during disassembly.



1. **Quick Change:** Angle lockcase and insert notch at top into slot and slide lockcase into the slot.
2. **Quick Change** Insert the lockbar connector on the backside of lockcase into the top slot in the lockbar located on the interior of the door frame by sliding the lockbar up or down to align.
3. **Standard:** Slide the lockcase directly into the slot.



1. Install new lock case into the slot in the side of the door frame with two 1/2" screws.



1. Look into handle holes on door to make sure lock case is oriented properly. Notch in square spindle hole should be facing downwards.

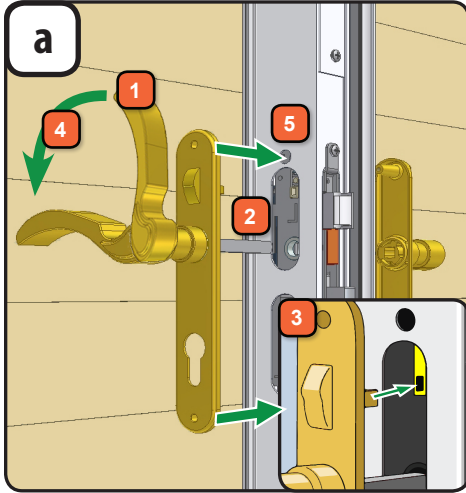
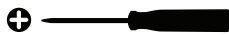
TIP: If notch is not facing down, use handle and spindle to rotate spindle hole into correct orientation.

NOTE: Window or screen will release from door frame with quick release window systems.

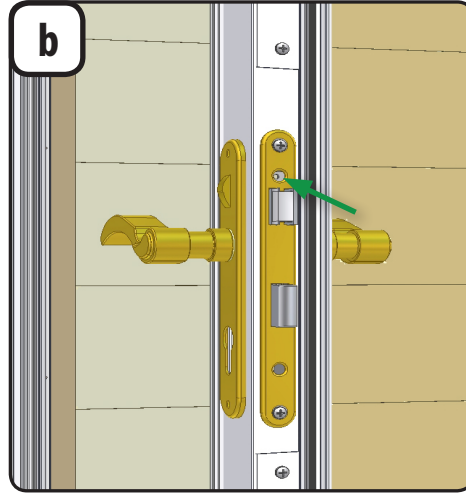
4

ASSEMBLE HANDLE (Left Hand Shown)

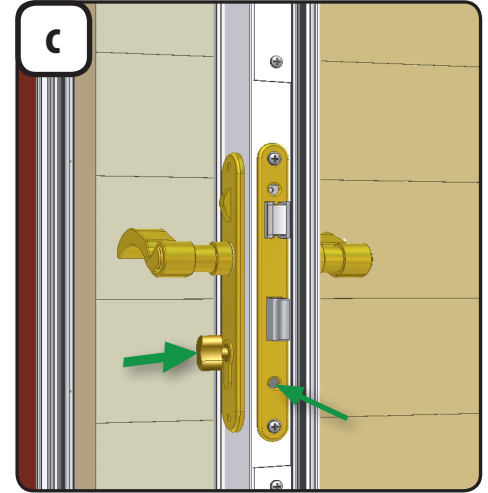
Tools needed:



1. Rotate handle levers into a vertical position.
NOTE: Some door models may require handle to be in horizontal position for installation.
2. Install both handle assemblies onto door. Spindle will pass through square hole in lock case and into other handle.
3. Install lockbar latch to lockbar. Spindle of lockbar latch will fit into the hole in the lockbar.
4. Rotate handles to a horizontal position.
5. Attach trim plates together using two 1-1/2" pan head screws.



1. Install lock case trim plate onto lock case and fasten with one 5/8" screw. Do not overtighten screws.



1. Insert key cylinder into the lock case and fasten with one 1-1/2" screw. Do not overtighten screw.